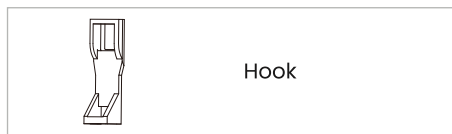
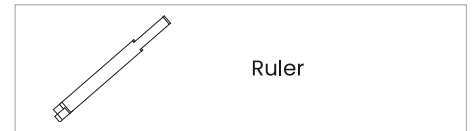
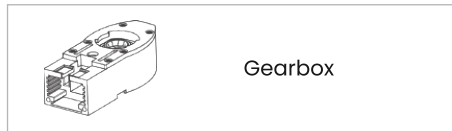
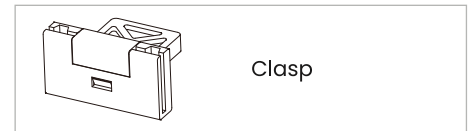
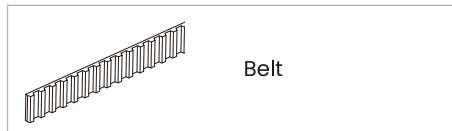
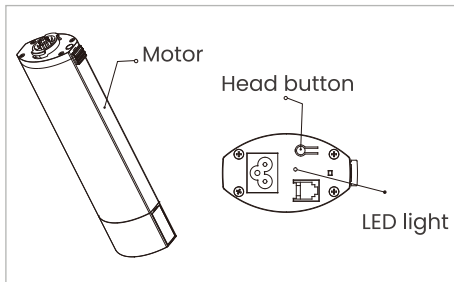
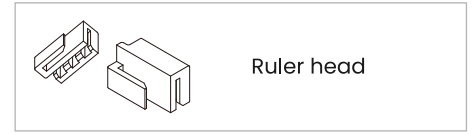
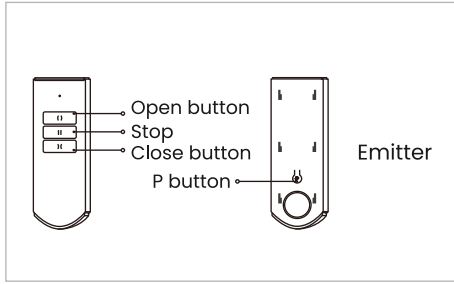


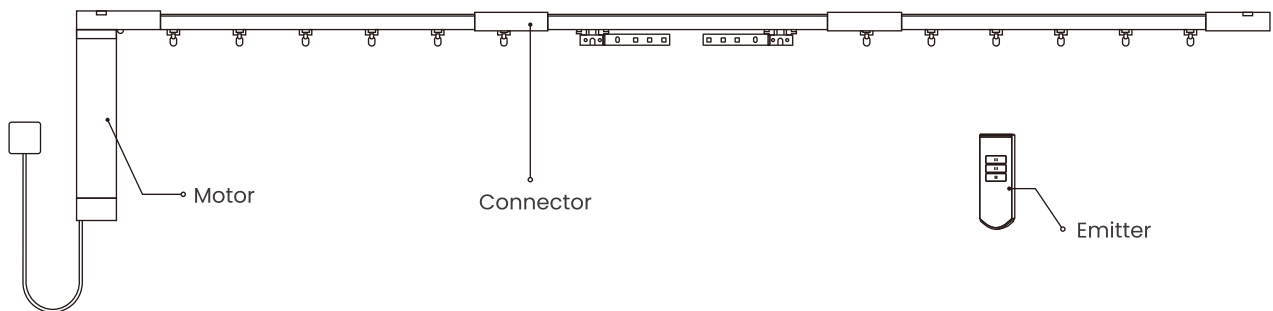
Motorized Curtain Track Instruction

Packing List:

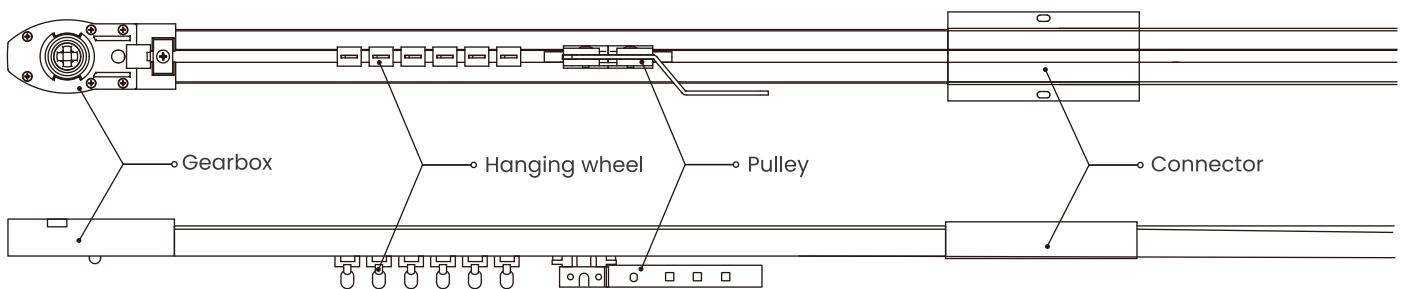


Product introduction

Product Introduction: The General Light Intelligent Motorized Curtain is an IOT smart curtain control device. It consists of an intelligent curtain motor, splicing guide rail, remote controller, and accessories. It is powered by 100-240V AC input, transforming traditional curtains into smart curtains.



Structure diagram



Motorized Curtain Track Instruction

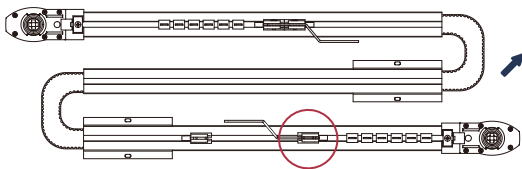
Operation Instruction

Button operation	Description
P button	Short press the motor head once, the LED enters the slow flashing state. Long press the emitter Start button until the LED flashes 5 times, the matching is successful.
Motor reversing	Long press Stop button for 5S, and the LED of the motor head flashes for 5 times, and the reversing is successful.
Delete limits	Long press the motor head until the LED is steady on. After releasing, the LED will flash for 10 times, and the limit will be deleted successfully.

Function and parameter

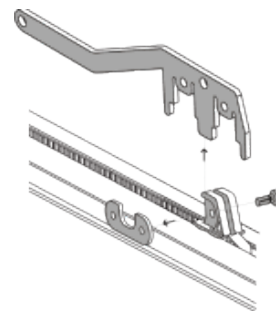
Functional characteristics	Basic parameter	
<ul style="list-style-type: none">• Ultra-flexible silent design• Power-off memory stroke function• Hand-pull start function• Obstruction stop function• Multi-machine networking function• Automatic setting memory stroke• Fabric rebound correction function• Intermediate point limit function• Adjustable speed function• Multiple control methods	Model	PCM 75
	Rated voltage	AC 100~240 V
	Rated power	40 W
	Rated frequency	50/60 Hz
	Insulation level	Class F
	Rated torque	1.2 N·m
	Waterproof rating	IP 20

Installation



1

Double-leaf



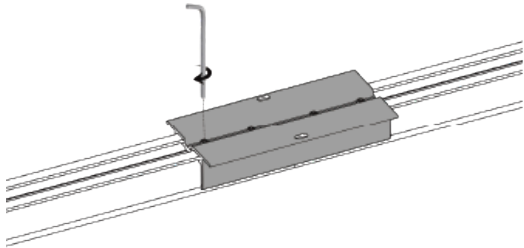
2

Motorized Curtain Track Instruction

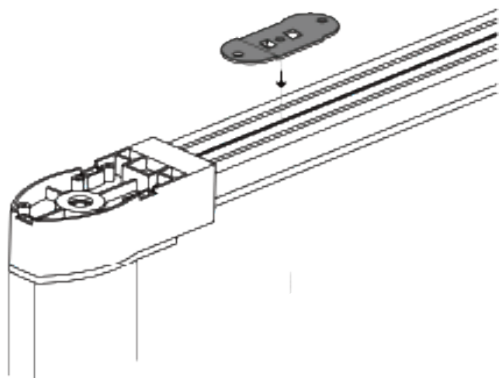


3

Align the rails and straighten them



5

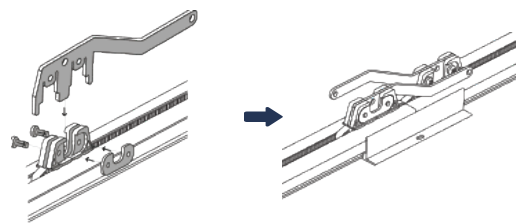


7

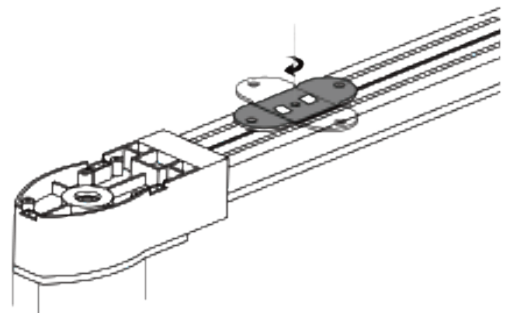
Install the brackets evenly distributed.



4



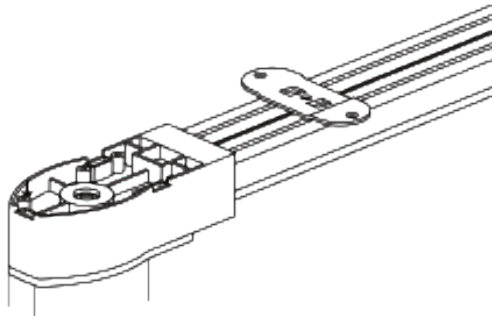
6



8

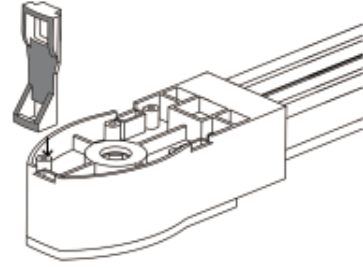
Install the brackets evenly distributed.

Motorized Curtain Track Instruction



9

Install the brackets evenly distributed.



10

Common problems

Common faults	Solutions
Emitter cannot control motor	<ol style="list-style-type: none"> 1. Check whether the motor is powered on 2. Whether the emitter is short of power, please replace the battery in time 3. Whether the emitter has completed matching 4. If the above three methods are uncontrollable, please contact a professional for maintenance
Emitter control and the motor run in opposite directions	Refer to the operation instructions on the front page to reverse the motor
The middle of the motor cannot be shutted or both ends cannot be reached	Long press the button on the motor head for 3 seconds, and let the motor run again after the motor swings once,
Missing/broken Emitter	Contact a professional to replace and then match the code again

Assembly video

Please scan the code to see the assembly instructions and learn more product information!



Jason Track Wall Mount
Ripple Fold Curtain Install QR



Jason Track Ceiling Mount
Ripple Fold Curtain Install QR



Jason Track Pleat Curtain
Install QR